

Project: \_\_\_\_\_

Fixture Type: \_\_\_\_\_

Location: \_\_\_\_\_

Contact/Phone: \_\_\_\_\_

LJKT404A-5CCT is 4 inch LED AC Version Disc light for square and octagonal 4 inch J-Box. The simple design with the built-in driver has a minimum of installation procedures. This LED Disc light is CCT adjustable. It makes the installation easier and faster than other types of Disc lights.

## DESCRIPTION

- Aluminum body dissipates heat from the LED board.
- 4 different colors for trim White, Black, Bronze, Satin Nickel.
- Use 5 CCT selectable switch on the LED chip.
- Fast and easy installation.

## LED LIGHT ENGINE

- Dimming down to 0% with most dimmers.
- Suitable for operation in ambient not exceeding 40 °C
- Available in CCT 2700K, 3000K, 3500K, 4000K and 5000K
- CRI of ≥80 or ≥90
- Long life LED chips guaranteed up to 50,000 hours.

## WARRANTY

Guaranteed five years from the purchase date of the products, against mechanical defects in manufacturing.

## LISTINGS

- c-ULus listed
- c-ULus classified
- Energy star qualified
- Wet locations (Not suitable for coastal/salt water area)
- Damp locations
- RoHS compliances
- Tested in accordance with IESNA LM79 & LM80

## PERFORMANCE DATA

|               |                                  |        |        |        |        |
|---------------|----------------------------------|--------|--------|--------|--------|
| Input Voltage | 120V                             |        |        |        |        |
| Input Power   | 12W                              |        |        |        |        |
| Frequency     | 60Hz                             |        |        |        |        |
| C R I         | 90                               |        |        |        |        |
| T Ambient     | -30 °C ~ 40 °C (-22 °F ~ 104 °F) |        |        |        |        |
| C C T         | 2700 K                           | 3000 K | 3500 K | 4000 K | 5000 K |
| Lumens        | 720 lm                           | 750 lm | 790 lm | 810 lm | 820 lm |

(all values at 25°C without a dimming control in circuit)

## ACCESSORY KIT

Basic Accessories for J-Box Installation

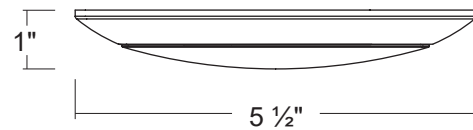


## LJKT404A-5CCT

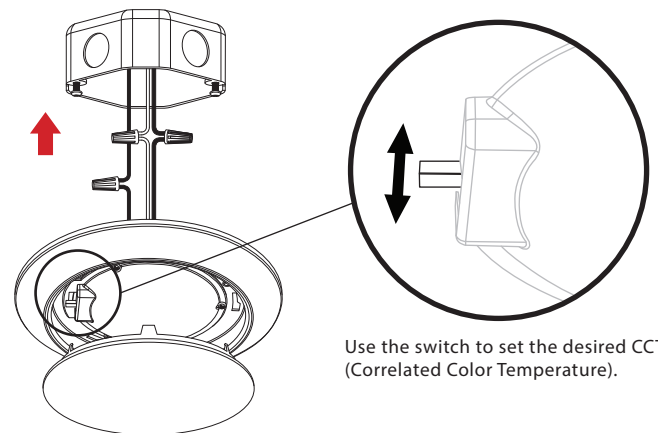
4" LED Disc Light / AC Version 5 CCT



## DIMENSIONS / INSTALLATION



### J - Box Installation



Use the switch to set the desired CCT (Correlated Color Temperature).

## PRODUCT CODES

| Model NO.        | Description   |
|------------------|---|
| LJKT404A-W-5CCT  | 4" LED Disc Light / AC Version / White / 5 CCT        |
| LJKT404A-B-5CCT  | 4" LED Disc Light / AC Version / Black / 5 CCT        |
| LJKT404A-SN-5CCT | 4" LED Disc Light / AC Version / Satin Nickel / 5 CCT |
| LJKT404A-BZ-5CCT | 4" LED Disc Light / AC Version / Bronze / 5 CCT       |
| LJKT40ACRY       | Accessories for mounting on recessed can              |

### List of Triac Dimmer Switch

| Mfr    | Model #        | Dimming Rate |
|--------|----------------|--------------|
| Lutron | DVM-603PGH-WH  | 0 - 72%      |
| Lutron | MSCL-OP153M    | 0 - 85%      |
| Lutron | CT-103PH-WH    | 0 - 86%      |
| Lutron | DV-600P-WH     | 0 - 87%      |
| Lutron | MACL-153MLH    | 0 - 87%      |
| Lutron | S-603PR-WH     | 0 - 87%      |
| Lutron | S-600PR-WH     | 0 - 89%      |
| Lutron | DVCL-153PR-WH  | 0 - 91%      |
| Lutron | DVMCL-153PH-WH | 0 - 92%      |
| Lutron | SCL-153PR-WH   | 0 - 93%      |